



**STRONG PARTNERS.
TOUGH TRUCKS.™**



V30-35ZMU SERIES

VERY NARROW AISLE MAN-UP TURRET LIFT TRUCK

WWW.HYSTER.COM

> V30-35ZMU SERIES

UNRIVALED VERSATILITY TO FIT YOUR APPLICATION

Hyster® very narrow aisle trucks enable operators to optimize storage capacity and efficiently retrieve pallets in high intensity operations.

With a range of model configurations, mast options and lift heights to choose from, customers can select the right solution for their specific operation. Hyster® VNA trucks are the perfect solution for working inside very narrow aisles with very high racking.

The Hyster VNA lift truck is designed for indoor use and is ideally suited for applications such as large distribution centers and high density stacking and storing. The Hyster V30-35ZMU series of lift trucks offers a host of options, including five chassis choices, three operator compartment configurations, and either 48 or 72 volt systems. These options, along with our advanced ergonomic design, allow the operator to maintain maximum productivity throughout an entire shift. Its superior energy efficiency makes the V30-35ZMU very narrow aisle turret trucks cost less to operate and helps increase your productivity.





> V30-35ZMU SERIES

VERSATILITY

The Hyster® V30-35ZMU trucks deliver unrivaled versatility. A host of options allows you to choose the truck your application requires:

- Five chassis choices
- Three operator compartment configurations
- Standard open cab design allows easy order picking access
- 48 or 72 Volt

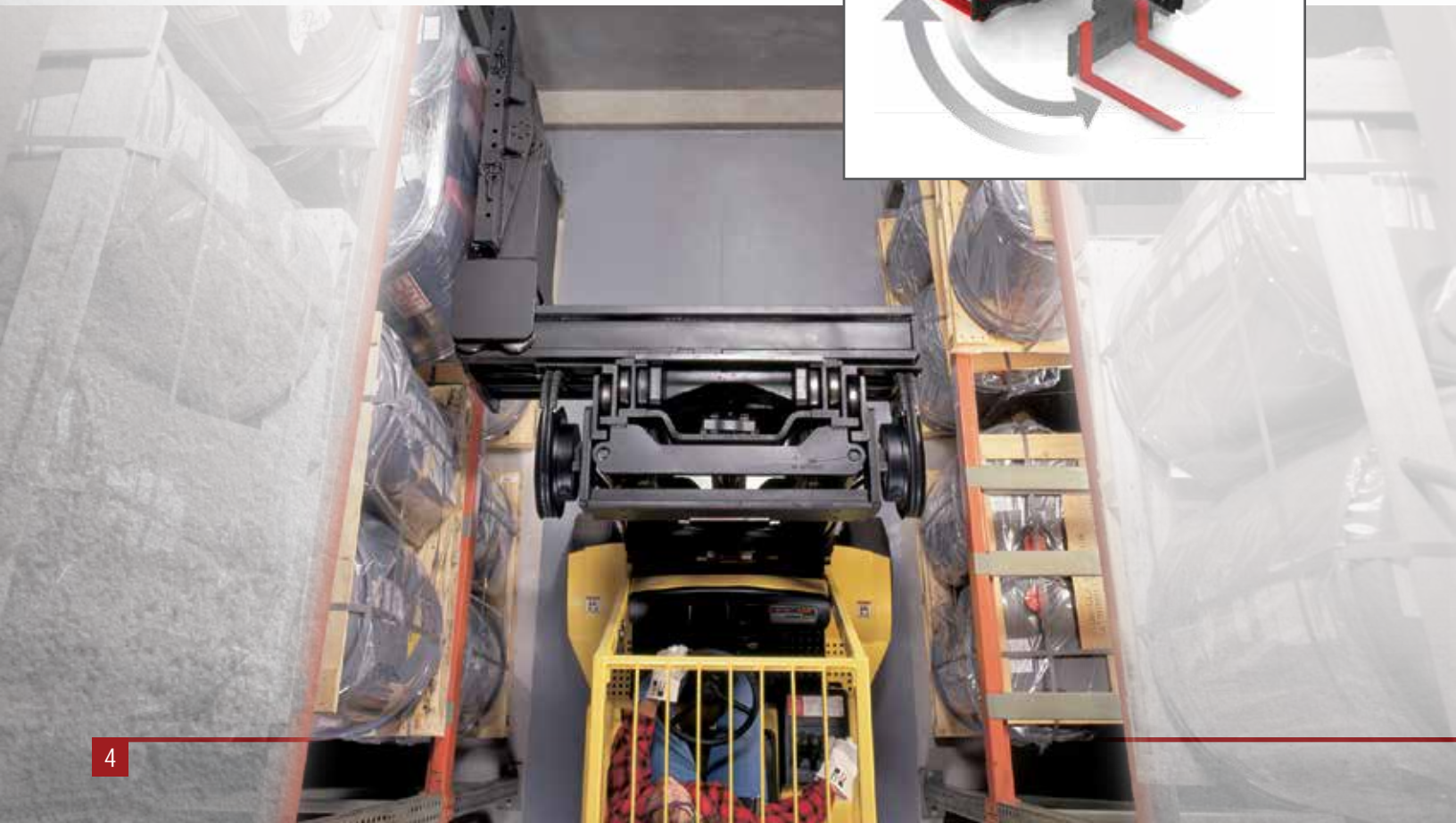
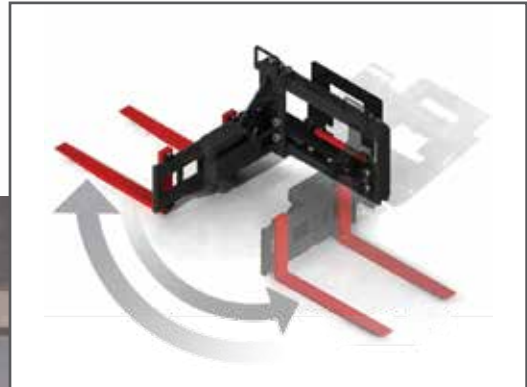
Operators can program truck performance for their preferred working style to boost productivity. Adjustable parameters include:

- Acceleration
- Travel speed
- Lift/lower speeds
- Regenerative braking force
- Lift limits
- Operator password access
- Optional load wheel brakes
- Optional freezer conditioning
- Optional freezer cab with heater
- Optional fork tilt and positioning
- Optional shuttle table

PRODUCTIVITY

The Hyster® V30-35ZMU series gives you the power to get more done.

- Hyster Company's exclusive HySense Advance feature monitors lift height and load weight to provide maximum truck performance
- Rigid tri-form or quad form mast design
- Multi-tasking design allows simultaneous operation of all truck functions
- Automatic synchronized traverse and rotation of attachment
- Automatic forks forward / centering function
- Automatic regenerative braking
- Automatic regenerative cab lowering
- An optional pre-height selector automatically reduces lift speed when the turret head approaches a pre-defined height





LOW COST OF OWNERSHIP

Hyster Company gives you an edge over your competition with the V30-35ZMU series of very narrow aisle turret trucks that cost less to operate and helps increase your productivity.

- AC traction, hoist and steering motors have no brushes to check or replace
- Extended service intervals on major components
- Several key truck functions can be operated simultaneously without a decrease in power for enhanced efficiency and productivity
- Superior energy efficiency
- MOSFET AC Controllers
- Patent-pending hydraulic pressure compensation system
- Continuous vehicle system monitoring
- Thermal management
- Quickly identifies service needs
- CANBUS communication system reduces wiring and electrical connections

ERGONOMICS

The advanced ergonomic design of the V30-35ZMU series allows the operator to maintain maximum productivity throughout an entire shift.

- The armrests and joysticks are fully adjustable for standing or sitting operators
- Standard dome light, work lights and cabin fan optimize operator comfort and productivity
- With three-way adjustment of the forward-mounted console, operators can easily reach controls
- Superior rear visibility is provided by an open main mast design and a large rear window
- Low step height eases entry and exit
- Operator foot sensors, located under the floor board, are larger for easy activation
- The seat can swivel between 0° to 20°
- The optional forward-mounted console is completely adjustable

> V30-35ZMU SERIES

SERVICEABILITY

The V30-35ZMU series is designed for reduced service needs, so you can keep things moving. When regular maintenance is necessary, it can be done quickly.

- Key components are reached via a one piece steel motor compartment cover that opens 180°
- CANBUS communication system allows single point diagnostic access of all truck components
- The fixed position of the traction motor prevents twisting and stretching of cable connections
- Bolt-on mast bearings allow easy inspection and replacement.
- Attachment bearings are easily accessed and adjustable
- Tilt-out hydraulic control valve allows easy access to components

DEPENDABILITY

- O-ring face seal hydraulic fittings
- Sealed electrical connectors meet IP66 rating
- Optical encoders and hall effect switches provide high duty cycle operation
- Thermal management system protects key components
- Gear on gear steering design requires no adjustments
- Electronic steering and lift stops eliminate mechanical shocks to the steering and mast
- In-line hydraulic filters extend component life
- AC motors and controls deliver consistent, enhanced performance throughout the usable battery discharge cycle

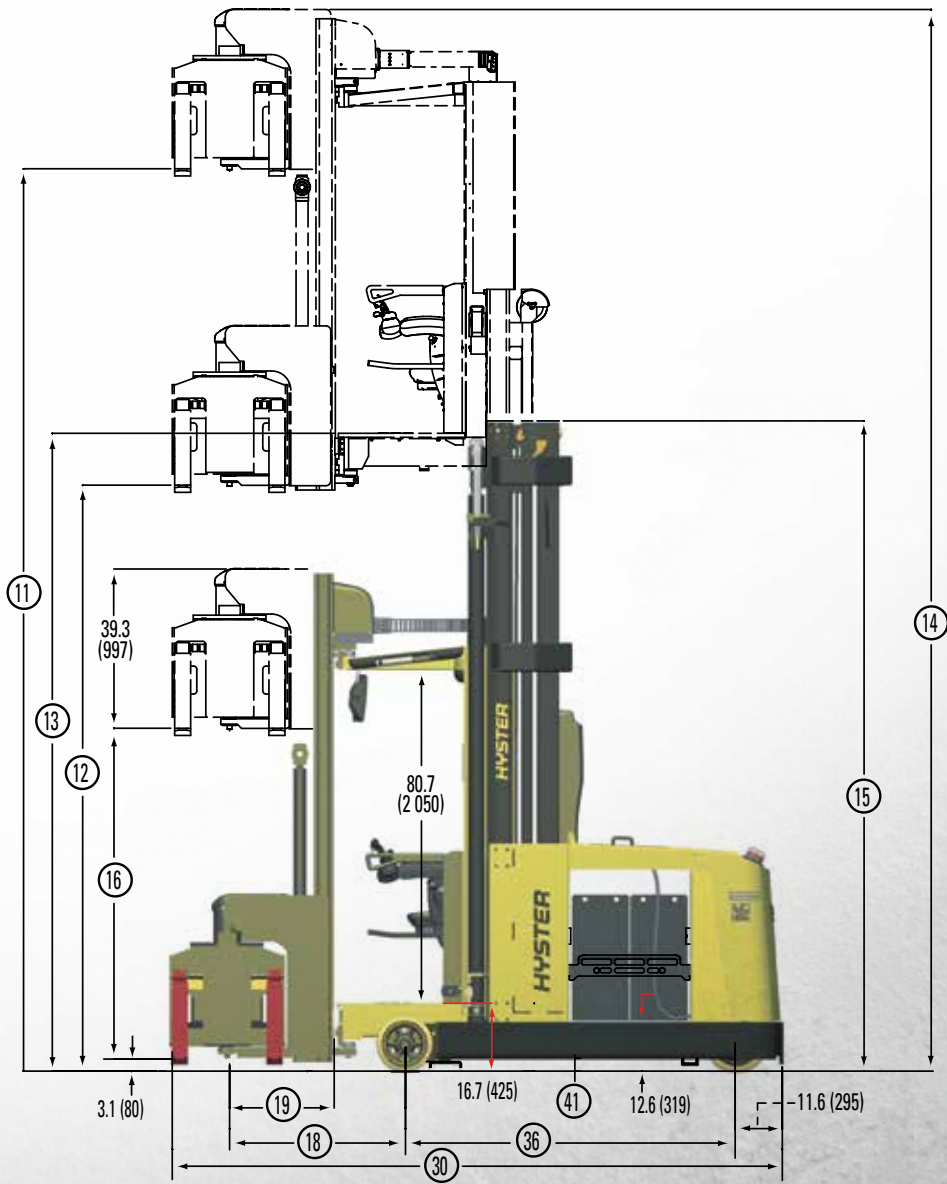
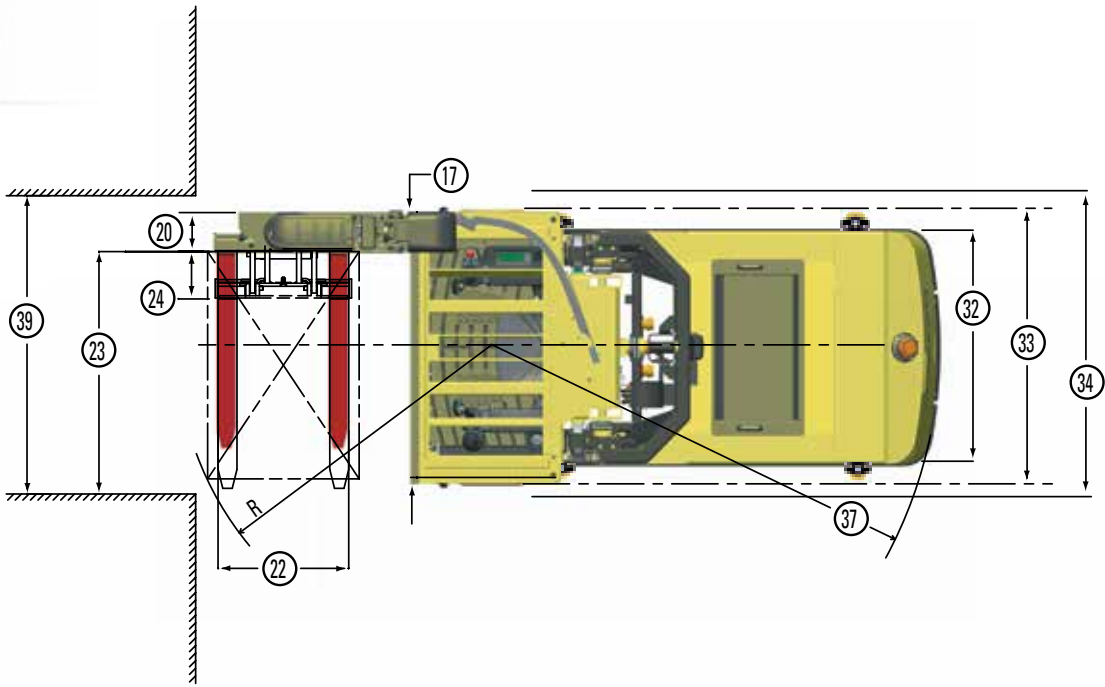


SUPPORTING CUSTOMERS WITH WORLD-CLASS PARTS & SERVICE

Four Parts Distribution Centers strategically located around the world provide a full range of original equipment and aftermarket parts that help maintain our customers' uptime. In fact, our Guaranteed Availability Program ensures that parts that are normally required in the first 2 years of operation will be available from your Hyster® parts dealer within 24 hours or they are free.*

We also take that commitment into the field with the Hyster CERTECH® Certification training program. This technical training program provides both systems level as well as product-specific education to ensure lift trucks are repaired right the first time.

* Contact your local dealer for program details.





V30ZMU DIMENSIONS

GENERAL				Hyster Company	Hyster Company
1	Manufacturer	Manufacturer Name		V30ZMU	V30ZMU
2	Model	Manufacturer Designation		V30ZMU	V30ZMU
3	Operator Type	Sit/Stand		Man-up Turret - Sit or Stand Operation	Man-up Turret - Sit or Stand Operation
4	Model Configuration	Wheel Base Designation		Medium WB	Long WB
5	Capacity	Rated Capacity	lb (kg)	3,000 (1360)	3,000 (1360)
6	Load Center	Distance	in (mm)	24 (610)	24 (610)
7	Power Type	Electric		Electric - 48 volt	Electric - 48 volt
8	Tire Type	Cushion (C), Pneumatic (P), Load/Drive		Polyurethane/Polyurethane	Polyurethane/Polyurethane
9	Wheels	Number (x=drive), Front/Rear		2/1x	2/1x
10	Mast Type			Tri-Form	Tri-Form
DIMENSIONS					
17	Attachment	Traverse Frame Widths	in (mm)	47.2/55.1/61.0/66.9 (1200/1400/1500/1700)	47.2/55.1/61.0/66.9 (1200/1400/1500/1700)
18		Distance, Rotator C/L to load wheel C/L, 2-stage/3-stage	in (mm)	43.3/46.3 (1101/1177)	43.3/46.3 (1101/1177)
19		Pivot Boom Length	in (mm)	26.4 (670)	26.4 (670)
20		Pivot Boom Thickness (Lost Rotator Width)	in (mm)	8.3 (210)	8.3 (210)
21		Fork Carriage Width	in (mm)	28.3 (720)	28.3 (720)
22		Fork Spread Adjustment (outside-outside dimension), min/max	in (mm)	20.0/28.3 (508/720)	20.0/28.3 (508/720)
23		Traverse Stroke	in (mm)	40/46.8/52.7/57.7 (990/1190/1340/1490)	40/46.8/52.7/57.7 (990/1190/1340/1490)
24		Reach Carriage Stroke (pantograph)	in (mm)	4/5/6/8/10 (102/127/152/203/254)	4/5/6/8/10 (102/127/152/203/254)
25	Cab	Cab Width	in (mm)	47.2/55.1/61/66.9 (1200/1400/1500/1700)	47.2/55.1/61/66.9 (1200/1400/1500/1700)
26		Cab Depth (front of cab to operator seat back)	in (mm)	34.2 (870)	34.2 (870)
27	Forks	Thickness x Width x Length	in (mm)	1.75 x 4 x 42 (45 x 100 x 1066)	1.75 x 4 x 42 (45 x 100 x 1066)
28		Type		Pin	Pin
29	Truck Length	Headlength (chassis length to face of traverse frame), 2-stage/3-stage	in (mm)	105/108 (2669/2745)	109.8/112.8 (2789/2865)
30		Overall truck length with tucked forks (no load), 2-stage/3-stage	in (mm)	145.6/148.6 (3698/3774)	150.3/153.3 (3818/3894)
31		Length to Face of Forks (forks forward), 2-stage/3-stage	in (mm)	135.6/138.6 (3444/3520)	135.6/138.6 (3444/3520)
32	Overall Dimensions	Frame Width	in (mm)	48 (1220)	48 (1220)
33		Basewidth (width across load wheels)	in (mm)	48/56/62/68 (1220/1425/1575/1725)	48/56/62/68 (1220/1425/1575/1725)
34		Width Across Guide Rollers	in (mm)	50.2/58/64/69.9 (1275/1475/1625/1775)	50.2/58/64/69.9 (1275/1475/1625/1775)
35		Top of Fork - Mast Lowered	in (mm)	3.1 (80)	3.1 (80)
36	Wheelbase		in (mm)	76.5 (1943)	81.2 (2063)
37	Turning Radius	Minimum Turning Radius	in (mm)	88.6 (2250)	93.3 (2370)
38	Transfer Aisle	Minimum Transfer Aisle with Tucked Load, 2-stage/3-stage	in (mm)	171.3 (4352)/175.7 (4462)	176.0 (4472)/180.4 (4582)
39	Clear Aisle Width	With Pallet on Forks, 2-stage/3-stage	in (mm)	Contact Sales	Contact Sales
40	Ground Clearance	Lowest Point (No Load)	in (mm)	1.75 (45)	1.75 (45)
41		Center of Wheelbase (No Load)	in (mm)	2.9 (75)	2.9 (75)
42	Total Approximate Weight	Standard Truck (Without Battery)	lb (kg)	14,740 (6701)	15,475 (7034)
43	Axle Loading	Static With Rated Load and Standard Mast (Standard Truck), Front/Rear	lb (kg)	12,922/4,679 (5874/2127)	13,332/5,002 (6060/2274)
44	Speed - Travel	Travel Speed, RL/NL	mph	6.5/6.5	6.5/6.5
45	Lift Speed	Main Mast, RL/NL	fpm	65/83	65/83
46		Auxiliary Mast, RL/NL	fpm	69/77	69/77
47	Lower Speed	Main Mast, RL/NL	fpm	98/98	98/98
48		Auxiliary Mast, RL/NL	fpm	79/77	79/77
49	Attachment Speed	Traverse Speed RL/NL	in per sec	7.5/7.9	7.5/7.9
50		Rotate Speed (full 180 degree rotation), maximum speed	sec	6*	6*
51	Gradeability	Maximum Gradeability, RL ††	Percent %	6	6
52	Brakes	Service Brakes		Electric/Mechanical	Electric/Mechanical
53		Method of Operation		Plugging	Plugging
54	Tire Type	Load/Drive		Polyurethane/Polyurethane	Polyurethane/Polyurethane
55	Wheels	Number (x=drive), Front/Rear		2/1x	2/1x
56	Tire Size	Load Wheels, Front	in (mm)	13.78 x 5.5 (350 x 140)	13.78 x 5.5 (350 x 140)
57	Tire Size	Drive Wheel, Rear	in (mm)	15.75 x 6.3 (400 x 160)	16 x 7 (406 x 178)
58	Battery	Battery Type		Lead Acid	Lead Acid
59		Volts/Max Ampere Hours	V/AH	48/1085	48/1240
60		Weight, minimum	lb (kg)	2,976 (1350)	3,087 (1400)
61		Connector style on truck		Blue SB 350	Blue SB 350
62		Recommended battery lead length and connector position		30" Position B	30" Position B
63		Battery sizes (with optional spacer groups), Length/Width	in	44.2 x 20.8	38.7 x 23.6
64		Battery sizes (with optional spacer groups), Length/Width	in	38.7 x 23.8	38.4 x 26.8
65		Battery sizes (with optional spacer groups), Length/Width	in	-----	38.7 x 27
66	Electric Motors	Drive Motor Rating (S2 - 60 minimum rating)	kw	7.5	7.5
67		Hoist Motor Rating (S3 - 25% duty cycle rating)	kw	2 x 12	2 x 12
68		Drive Motor Control		AC - MOSFET	AC - MOSFET
69		Hoist Motor Control		AC - MOSFET	AC - MOSFET

CERTIFICATION: These Hyster® lift trucks meet design specifications of Part II ANSI B56.1-1969, as required by OSHA Section 1910.178(a)(2) and also comply with Part III ANSI B56.1-revision in effect at time of manufacture. Certification of compliance with the applicable ANSI standards appears on the lift truck.

† NOTE: Performance specifications / ratings are for truck equipped as described under Standard Equipment in this Technical Guide. Performance specifications are affected by the condition of the vehicle and how it is equipped, as well as by the nature and condition of the operating area. Specifications are subject to change and the proposed application should be discussed with your authorized Hyster Company Dealer.

†† Limited by traction. For further information on this dimension, please contact your local Hyster Company dealer.

* Performance adjustable per application - Factory default speed set at 7.7 seconds.

V35ZMU SPECIFICATIONS



GENERAL				Hyster Company	Hyster Company	Hyster Company
1	Manufacturer	Manufacturer Name		V35ZMU	V35ZMU	V35ZMU
2	Model	Manufacturer Designation		V35ZMU	V35ZMU	V35ZMU
3	Operator Type	Sit/Stand		Man-up Turret - Sit or Stand Operation	Man-up Turret - Sit or Stand Operation	Man-up Turret - Sit or Stand Operation
4	Model Configuration	Wheel Base Designation		Short WB	Medium WB	Long WB
5	Capacity	Rated Capacity		3,500 (1590)	3,500 (1590)	3,500 (1590)
6	Load Center	Distance		24 (610)	24 (610)	24 (610)
7	Power Type	Electric		Electric - 72 volt	Electric - 72 volt	Electric - 72 volt
8	Tire Type	Cushion (C), Pneumatic (P), Load/Drive		Polyurethane/Polyurethane	Polyurethane/Polyurethane	Polyurethane/Polyurethane
9	Wheels	Number (x=drive), Front/Rear		2/1x	2/1x	2/1x
10	Mast Type			Tri-Form	Quad-Form	Quad-Form
17	Attachment	Traverse Frame Widths		47.2/55.1/61.0/66.9 (1200/1400/1500/1700)	47.2/55.1/61.0/66.9 (1200/1400/1500/1700)	47.2/55.1/61.0/66.9 (1200/1400/1500/1700)
18		Distance, Rotator C/L to load wheel C/L, 2-stage/3-stage		43.3/46.3 (1101/1177)	43.3/49.3 (1101/1251)	43.3/49.3 (1101/1251)
19		Pivot Boom Length		26.4 (670)	26.4 (670)	26.4 (670)
20		Pivot Boom Thickness (Lost Rotator Width)		8.3 (210)	8.3 (210)	8.3 (210)
21		Fork Carriage Width		28.3 (720)	28.3 (720)	28.3 (720)
22		Fork Spread Adjustment (outside-outside dimension), min/max		20.0/28.3 (508/720)	20.0/28.3 (508/720)	20.0/28.3 (508/720)
23		Traverse Stroke		40/46.8/52.7/57.7 (990/1190/1340/1490)	40/46.8/52.7/57.7 (990/1190/1340/1490)	40/46.8/52.7/57.7 (990/1190/1340/1490)
24		Reach Carriage Stroke (pantograph)		4/5/6/8/10 (102/127/152/203/254)	4/5/6/8/10 (102/127/152/203/254)	4/5/6/8/10 (102/127/152/203/254)
25	Cab	Cab Width		47.2/55.1/61/66.9 (1200/1400/1500/1700)	47.2/55.1/61/66.9 (1200/1400/1500/1700)	47.2/55.1/61/66.9 (1200/1400/1500/1700)
26		Cab Depth (front of cab to operator seat back)		34.2 (870)	34.2 (870)	34.2 (870)
27	Forks	Thickness x Width x Length		1.75 x 4 x 42 (45 x 100 x 1066)	1.75 x 4 x 42 (45 x 100 x 1066)	1.75 x 4 x 42 (45 x 100 x 1066)
28		Type		Pin	Pin	Pin
29	Truck Length	Headlength (chassis length to face of traverse frame), 2-stg/3-stg		109.8/112.8 (2789/2865)	114.9/120.8 (2919/3069)	122.6/128.5 (3114/3264)
30		Overall truck length with tucked forks (no load), 2-stage/3-stage		150.3/153.3 (3818/3894)	155.4/161.3 (3948/4098)	163.1/168 (4143/4293)
31		Length to Face of Forks (forks forward), 2-stage/3-stage		135.6/138.6 (3444/3520)	135.6/138.6 (3444/3520)	135.6/138.6 (3444/3520)
32	Overall Dimensions	Frame Width		48 (1220)	48 (1220)	48 (1220)
33		Basewidth (width across load wheels)		48/56/62/68 (1220/1425/1575/1725)	48/56/62/68 (1220/1425/1575/1725)	48/56/62/68 (1220/1425/1575/1725)
34		Width Across Guide Rollers		50.2/58/64/69.9 (1275/1475/1625/1775)	50.2/58/64/69.9 (1275/1475/1625/1775)	50.2/58/64/69.9 (1275/1475/1625/1775)
35		Top of Fork - Mast Lowered		3.1 (80)	3.1 (80)	3.1 (80)
36	Wheelbase			81.2 (2063)	86.3 (2193)	94 (2388)
37	Turning Radius	Minimum Turning Radius		93.3 (2370)	98.2 (2495)	105.7 (2685)
38	Transfer Aisle	Minimum Transfer Aisle with Tucked Load, 2-stage/3-stage		176.0 (4472)/180.4 (4582)	181.0 (4597)/186.9 (4797)	188.4 (4787)/192.8 (4897)
39	Clear Aisle Width	With Pallet on Forks, 2-stage/3-stage		Contact Sales	Contact Sales	Contact Sales
40	Ground Clearance	Lowest Point (No Load)		1.75 (45)	1.75 (45)	1.75 (45)
41		Center of Wheelbase (No Load)		2.9 (75)	2.9 (75)	2.9 (75)
42	Total Approx. Wt.	Standard Truck (Without Battery)		15,744 (1710)	16,907 (7685)	17,426 (7921)
43	Axle Loading	Static w/Rated Load and Standard Mast (Std. Truck), Front/Rear		13,913/5,161 (6324/2346)	14,491/5,716 (6587/2598)	14,738/5,988 (6699/2722)
44	Speed - Travel	Travel Speed, RL/NL		6.5/6.5	6.5/6.5	6.5/6.5
45	Lift Speed	Main Mast, RL/NL		69/79	69/79	69/79
46		Auxiliary Mast, RL/NL		69/77	69/77	69/77
47	Lower Speed	Main Mast, RL/NL		118/118	118/118	118/118
48		Auxiliary Mast, RL/NL		79/77	79/77	79/77
49	Attachment Speed	Traverse Speed RL/NL		7.5/7.9	7.5/7.9	7.5/7.9
50		Rotate Speed (full 180 degree rotation), maximum speed		6*	6*	6*
51	Gradeability	Maximum Gradeability, RL ††		6	6	6
52	Brakes	Service Brakes		Electric/Mechanical	Electric/Mechanical	Electric/Mechanical
53		Method of Operation		Plugging	Plugging	Plugging
54	Tire Type	Load/Drive		Polyurethane/Polyurethane	Polyurethane/Polyurethane	Polyurethane/Polyurethane
55	Wheels	Number (x=drive), Front/Rear		2/1x	2/1x	2/1x
56	Tire Size	Load Wheels, Front		13.78 x 5.5 (350 x 140)	13.78 x 5.5 (350 x 140)	13.78 x 5.5 (350 x 140)
57	Tire Size	Drive Wheel, Rear		16 x 7 (406 x 178)	16 x 7 (406 x 178)	16 x 7 (406 x 178)
58	Battery	Battery Type		Lead Acid	Lead Acid	Lead Acid
59		Volts/Max Ampere Hours		72/775	72/930	72/1240
60		Weight, minimum		3,307 (1500)	4,079 (1850)	4,189 (1900)
61		Connector style on truck		Green SB 350	Green SB 350	Green SB 350
62		Recommended battery lead length and connector position		30" Position B	30" Position B	30" Position B
63		Battery sizes (with optional spacer groups), Length/Width		38.3 x 13.5 (x 2 - 36V Battery)	38.1 x 15.8 (x 2 - 36V Battery)	38.3 x 17.9 (x 2 - 36V Battery)
64		Battery sizes (with optional spacer groups), Length/Width		37.9 x 14.0 (x 2 - 36V Battery)	37.9 x 15.5 (x 2 - 36V Battery)	38.7 x 20.4 (x 2 - 36V Battery)
65		Battery sizes (with optional spacer groups), Length/Width		38.3 x 26.7 (Single 72V Battery)	-----	38.3 x 20.1 (x 2 - 36V Battery)
66	Electric Motors	Drive Motor Rating (S2 - 60 minimum rating)		7.5	7.5	7.5
67		Hoist Motor Rating (S3 - 25% duty cycle rating)		2 x 15	2 x 15	2 x 15
68		Drive Motor Control		AC - MOSFET	AC - MOSFET	AC - MOSFET
69		Hoist Motor Control		AC - MOSFET	AC - MOSFET	AC - MOSFET

CERTIFICATION: These Hyster® lift trucks meet design specifications of Part II ANSI B56.1-1969, as required by OSHA Section 1910.178(a)(2) and also comply with Part III ANSI B56.1-revision in effect at time of manufacture. Certification of compliance with the applicable ANSI standards appears on the lift truck.

† NOTE: Performance specifications / ratings are for truck equipped as described under Standard Equipment in this Technical Guide. Performance specifications are affected by the condition of the vehicle and how it is equipped, as well as by the nature and condition of the operating area. Specifications are subject to change and the proposed application should be discussed with your authorized Hyster Company Dealer.

†† Limited by traction. For further information on this dimension, please contact your local Hyster Company dealer.

* Performance adjustable per application - Factory default speed set at 7.7 seconds.

➤ V30ZMU-MWB, V30ZMU-LWB, V35ZMU-SWB MAST DIMENSIONS

Maximum Fork Height* (Top of Forks) in. (mm)	Overall Lowered Height in. (mm)	Overall Extended Height in. (mm)	Main Lift Maximum Fork Height in. (mm)	Free-Lift (TOF) in. (mm)	Operator Orderpicking Height in. (mm)	Operator Platform Height Maximum in. (mm)
2-STAGE TRI-FORM MAST DIMENSIONS						
232.3 (5 900)	118.1 (3 000)	271.1 (6 887)	148.0 (3 760)	84.3 (2 140)	220 (5 588)	160.8 (4 085)
255.9 (6 500)	129.5 (3 290)	294.8 (7 487)	171.6 (4 360)	84.3 (2 140)	244 (6 198)	184.4 (4 685)
279.5 (7 100)	141.3 (3 590)	318.4 (8 087)	195.3 (4 960)	84.3 (2 140)	268 (6 807)	208.1 (5 285)
302.4 (7 680)	141.3 (3 590)	341.2 (8 667)	195.3 (4 960)	107.1 (2 720)	268 (6 807)	208.1 (5 285)
302.1 (7 700)	153.1 (3 890)	342.0 (8 687)	218.9 (5 560)	84.3 (2 140)	291 (7 391)	231.7 (5 885)
326.8 (8 300)	164.9 (4 190)	365.6 (9 287)	242.5 (6 160)	84.3 (2 140)	315 (8 001)	255.3 (6 485)
337.0 (8 560)	153.1 (3 890)	375.9 (9 547)	218.9 (5 560)	118.1 (3 000)	291 (7 391)	231.7 (5 885)
350.4 (8 900)	176.8 (4 490)	389.3 (9 887)	266.1 (6 760)	84.3 (2 140)	339 (8 611)	278.9 (7 085)
360.6 (9 160)	164.9 (4 190)	399.5 (10 147)	242.5 (6 160)	118.1 (3 000)	315 (8 001)	255.3 (6 485)
374.0 (9 500)	188.6 (4 790)	412.9 (10 487)	289.8 (7 360)	84.3 (2 140)	362 (9 195)	302.6 (7 685)
381.9 (9 700)	192.5 (4 890)	420.7 (10 687)	297.6 (7 560)	84.3 (2 140)	370 (9 398)	310.4 (7 885)
384.3 (9 760)	176.8 (4 490)	423.1 (10 747)	266.1 (6 760)	107.1 (2 720)	339 (8 611)	278.9 (7 085)
396.9 (10 080)	206.3 (5 240)	435.7 (11 067)	312.6 (7 940)	84.3 (2 140)	385 (9 779)	325.4 (8 265)
407.9 (10 360)	188.6 (4 740)	446.7 (11 347)	289.8 (7 360)	118.1 (3 000)	362 (9 195)	302.6 (7 685)
2-STAGE TRI-FORM MAST DIMENSIONS - AVAILABLE ONLY ON V30ZMU-LWB AND V35ZMU-SWB						
408.7 (10 380)	212.2 (5 390)	447.5 (11 367)	324.4 (8 240)	84.3 (2 140)	397 (10 084)	337.2 (8 565)
415.7 (10 560)	192.5 (4 890)	454.6 (11 547)	297.6 (7 560)	118.1 (3 000)	370 (9 398)	310.4 (7 885)
420.5 (10 680)	218.1 (5 540)	459.3 (11 667)	336.2 (8 540)	84.3 (2 140)	409 (10 389)	349.0 (8 865)
430.7 (10 940)	206.3 (5 240)	469.6 (11 927)	312.6 (7 940)	118.1 (3 000)	385 (9 779)	325.4 (8 265)
436.2 (11 080)	226.0 (5 740)	475.1 (12 067)	352.0 (8 940)	84.3 (2 140)	424 (10 770)	364.8 (9 265)
442.5 (11 240)	212.2 (5 390)	481.4 (12 227)	324.4 (8 240)	118.1 (3 000)	397 (10 084)	337.2 (8 565)
454.3 (11 540)	218.1 (5 540)	493.2 (12 527)	336.2 (8 540)	118.1 (3 000)	409 (10 389)	349.0 (8 865)
455.9 (11 580)	235.8 (5 990)	494.8 (12 567)	371.7 (9 440)	84.3 (2 140)	444 (11 278)	384.4 (9 765)
463.8 (11 780)	239.8 (6 090)	502.6 (12 767)	379.5 (9 640)	84.3 (2 140)	452 (11 481)	392.3 (9 965)
470.0 (11 940)	226.0 (5 740)	508.9 (12 927)	352.0 (8 940)	118.1 (3 000)	424 (10 770)	364.8 (9 265)
475.6 (12 080)	245.7 (6 240)	514.4 (13 067)	391.3 (9 940)	84.3 (2 140)	464 (11 786)	404.1 (10 265)
489.8 (12 440)	235.8 (5 990)	528.6 (13 427)	371.7 (9 440)	118.1 (3 000)	444 (11 278)	384.4 (9 765)
491.3 (12 480)	253.5 (6 440)	530.2 (13 467)	407.1 (10 340)	84.3 (2 140)	479 (12 167)	419.9 (10 665)
497.6 (12 640)	239.8 (6 090)	536.5 (13 627)	379.5 (9 640)	118.1 (3 000)	452 (11 481)	392.3 (9 965)
509.4 (12 940)	245.7 (6 240)	548.3 (13 927)	391.3 (9 940)	118.1 (3 000)	464 (11 786)	404.1 (10 265)
525.2 (13 340)	253.5 (6 440)	564.1 (14 327)	407.1 (10 340)	118.1 (3 000)	479 (12 167)	419.9 (10 665)
3-STAGE TRI-FORM MAST DIMENSIONS						
227.9 (5 790)	118.1 (3 000)	266.8 (6 777)	143.7 (3 650)	84.3 (2 140)	216 (5 486)	156.5 (3 975)
250.8 (6 370)	141.1 (3 585)	289.6 (7 357)	143.7 (3 650)	107.1 (2 720)	216 (5 486)	156.5 (3 975)
280.3 (7 120)	141.1 (3 585)	319.2 (8 107)	173.2 (4 400)	107.1 (2 720)	246 (6 248)	186.0 (4 725)
320.9 (8 150)	152.2 (3 865)	359.7 (9 137)	202.8 (5 150)	118.1 (3 000)	275 (6 985)	215.6 (5 475)
350.4 (8 900)	152.2 (3 865)	389.3 (9 887)	232.3 (5 900)	118.1 (3 000)	305 (7 747)	245.1 (6 225)
368.9 (9 370)	141.1 (3 585)	407.8 (10 357)	261.8 (6 650)	107.1 (2 720)	334 (8 484)	274.6 (6 975)
375.6 (9 540)	147.2 (3 740)	414.4 (10 527)	291.3 (7 400)	84.3 (2 140)	364 (9 246)	304.1 (7 725)
405.1 (10 290)	157.1 (3 990)	440.0 (11 277)	320.9 (8 150)	84.3 (2 140)	393 (9 982)	333.7 (8 475)
409.5 (10 400)	152.2 (3 865)	448.3 (11 387)	291.3 (7 400)	118.1 (3 000)	364 (9 246)	304.1 (7 725)
3-STAGE TRI-FORM MAST DIMENSIONS - AVAILABLE ONLY ON V30ZMU-LWB AND V35ZMU-SWB						
434.6 (11 040)	166.9 (4 240)	473.5 (12 027)	350.4 (8 900)	84.3 (2 140)	423 (10 744)	363.2 (9 225)
439.0 (11 150)	157.1 (3 990)	477.8 (12 137)	320.9 (8 150)	118.1 (3 000)	393 (9 982)	333.7 (8 475)
464.2 (11 790)	176.8 (4 490)	503.0 (12 777)	379.9 (9 650)	84.3 (2 140)	452 (11 481)	392.7 (9 975)
468.5 (11 900)	166.9 (4 240)	507.4 (12 887)	350.4 (8 900)	118.1 (3 000)	423 (10 744)	363.2 (9 225)
493.7 (12 540)	186.6 (4 740)	532.6 (13 527)	409.4 (10 400)	84.3 (2 140)	482 (12 243)	422.2 (10 725)
498.0 (12 650)	176.8 (4 490)	536.9 (13 637)	379.9 (9 650)	118.1 (3 000)	452 (11 481)	392.7 (9 975)
527.6 (13 400)	186.6 (4 740)	566.4 (14 387)	409.4 (10 400)	118.1 (3 000)	482 (12 243)	422.2 (10 725)

MWB = Medium Wheel Base ; LWB = Long Wheel Base
 * Maximum Fork Height = Main Lift + Free Lift

V35ZMU-MWB, V35ZMU-LWB MAST DIMENSIONS



Maximum Fork Height* (Top of Forks) in. (mm)	Overall Lowered Height in. (mm)	Overall Extended Height in. (mm)	Main Lift Maximum Fork Height in. (mm)	Free-Lift (TOF) in. (mm)	Operator Orderpicking Height in. (mm)	Operator Platform Height Maximum in. (mm)
2-STAGE QUAD-FORM MAST DIMENSIONS						
219.7 (5 580)	118.1 (3 000)	258.5 (6 567)	135.4 (3 440)	84.3 (2 140)	208 (5 283)	148.2 (3 765)
239.4 (6 080)	127.6 (3 240)	278.2 (7 067)	155.1 (3 940)	84.3 (2 140)	227 (5 766)	167.9 (4 265)
259.1 (6 580)	137.4 (3 490)	297.9 (7 567)	174.8 (4 440)	84.3 (2 140)	247 (6 274)	187.6 (4 765)
281.9 (7 160)	141.1 (3 585)	320.7 (8 147)	174.8 (4 440)	107.1 (2 720)	247 (6 274)	187.6 (4 765)
301.6 (7 660)	147.2 (3 740)	340.4 (8 647)	194.5 (4 940)	107.1 (2 720)	267 (6 782)	207.3 (5 265)
318.1 (8 080)	166.9 (4 240)	357.0 (9 067)	233.9 (5 940)	84.3 (2 140)	306 (7 772)	246.7 (6 265)
332.3 (8 440)	157.1 (3 990)	371.1 (9 427)	214.2 (5 440)	118.1 (3 000)	287 (7 290)	227.0 (5 765)
340.9 (8 660)	166.9 (4 240)	397.8 (9 647)	233.9 (5 940)	107.1 (2 720)	306 (7 772)	246.7 (6 265)
360.6 (9 160)	176.8 (4 490)	399.5 (10 147)	253.5 (6 440)	107.1 (2 720)	326 (8 280)	266.3 (6 765)
371.7 (9 440)	176.8 (4 490)	410.5 (10 427)	253.5 (6 440)	118.1 (3 000)	326 (8 280)	266.3 (6 765)
380.3 (9 660)	186.6 (4 740)	419.2 (10 647)	273.2 (6 940)	107.1 (2 720)	346 (8 788)	286.0 (7 265)
391.3 (9 940)	186.6 (4 740)	430.2 (10 927)	273.2 (6 940)	118.1 (3 000)	346 (8 788)	286.0 (7 265)
400.0 (10 160)	196.5 (4 990)	439.9 (11 147)	292.9 (7 740)	107.1 (2 720)	365 (9 271)	305.7 (7 765)
408.7 (10 380)	212.2 (5 390)	447.5 (11 367)	324.4 (8 240)	84.3 (2 140)	397 (10 084)	337.2 (8 565)
411.0 (10 440)	196.5 (4 990)	449.9 (11 427)	292.9 (7 740)	118.1 (3 000)	365 (9 271)	305.7 (7 765)
419.7 (10 660)	206.3 (5 240)	458.5 (11 647)	312.6 (7 940)	107.1 (2 720)	385 (9 779)	325.4 (8 265)
431.5 (10 960)	212.2 (5 390)	470.4 (11 947)	324.4 (8 240)	107.1 (2 720)	397 (10 084)	337.2 (8 565)
442.5 (11 240)	212.2 (5 390)	481.4 (12 227)	324.4 (8 240)	118.1 (3 000)	397 (10 084)	337.2 (8 565)
459.1 (11 660)	226.0 (5 740)	497.9 (12 647)	352.0 (8 940)	107.1 (2 720)	424 (10 770)	364.8 (9 265)
470.1 (11 940)	226.0 (5 740)	508.9 (12 927)	352.0 (8 940)	118.1 (3 000)	424 (10 770)	364.8 (9 265)
478.7 (12 160)	235.8 (5 990)	517.6 (13 147)	371.6 (9 440)	107.1 (2 720)	444 (11 278)	384.4 (9 765)
489.8 (12 440)	235.8 (5 990)	528.6 (13 427)	371.6 (9 440)	118.1 (3 000)	444 (11 278)	384.4 (9 765)
509.4 (12 940)	245.7 (6 240)	548.3 (13 927)	391.3 (9 940)	118.1 (3 000)	464 (11 786)	404.1 (10 265)
2-STAGE QUAD-FORM MAST DIMENSIONS - AVAILABLE ONLY ON V35ZMU-LWB						
514.2 (13 060)	253.5 (6 440)	553.0 (14 047)	407.1 (10 340)	107.1 (2 720)	479 (12 167)	419.9 (10 665)
525.2 (13 340)	253.5 (6 440)	564.1 (14 327)	407.1 (10 340)	118.1 (3 000)	479 (12 167)	419.9 (10 665)
3-STAGE QUAD-FORM MAST DIMENSIONS						
279.9 (7 110)	118.1 (3 000)	318.8 (8 097)	195.7 (4 970)	84.3 (2 140)	268 (6 807)	208.5 (5 295)
309.4 (7 860)	127.6 (3 240)	348.3 (8 847)	225.2 (5 720)	84.3 (2 140)	298 (7 569)	238.0 (6 045)
313.8 (7 970)	152.2 (3 865)	352.6 (8 957)	195.7 (4 970)	118.1 (3 000)	268 (6 807)	208.5 (5 295)
332.3 (8 440)	141.1 (3 585)	371.1 (9 427)	225.2 (5 720)	107.1 (2 720)	298 (7 569)	238.0 (6 045)
343.3 (8 720)	152.2 (3 865)	382.2 (9 707)	225.2 (5 720)	118.1 (3 000)	298 (7 569)	238.0 (6 045)
361.8 (9 190)	141.1 (3 585)	400.7 (10 177)	254.7 (6 470)	107.1 (2 720)	327 (8 306)	267.5 (6 795)
372.8 (9 470)	152.2 (3 865)	411.7 (10 457)	254.7 (6 470)	118.1 (3 000)	327 (8 306)	267.5 (6 795)
391.3 (9 940)	147.2 (3 740)	430.2 (10 927)	284.3 (7 220)	107.1 (2 720)	357 (9 068)	297.0 (7 545)
402.4 (10 220)	152.2 (3 865)	441.2 (11 207)	284.3 (7 220)	118.1 (3 000)	357 (9 068)	297.0 (7 545)
420.9 (10 690)	157.1 (3 990)	459.7 (11 677)	313.8 (7 970)	107.1 (2 720)	386 (9 804)	326.6 (8 295)
427.6 (10 860)	166.9 (4 240)	466.4 (11 847)	343.3 (8 720)	84.3 (2 140)	416 (10 566)	356.1 (9 045)
431.9 (10 970)	157.1 (3 990)	470.7 (11 957)	313.8 (7 970)	118.1 (3 000)	386 (9 804)	326.6 (8 295)
450.4 (11 440)	166.9 (4 240)	489.3 (12 427)	343.3 (8 720)	107.1 (2 720)	416 (10 566)	356.1 (9 045)
461.4 (11 720)	166.9 (4 240)	500.3 (12 707)	343.3 (8 720)	118.1 (3 000)	416 (10 566)	356.1 (9 045)
479.9 (12 190)	176.8 (4 490)	518.8 (13 177)	372.8 (9 470)	107.1 (2 720)	445 (11 303)	385.6 (9 795)
490.9 (12 470)	176.8 (4 490)	529.8 (13 457)	372.8 (9 470)	118.1 (3 000)	445 (11 303)	385.6 (9 795)
509.4 (12 940)	186.6 (4 740)	548.3 (13 927)	402.4 (10 220)	107.1 (2 720)	475 (12 065)	415.2 (10 545)
516.1 (13 110)	196.5 (4 990)	555.0 (14 097)	431.9 (10 970)	84.3 (2 140)	504 (12 802)	444.7 (11 295)
520.5 (13 220)	186.6 (4 740)	559.3 (14 207)	402.4 (10 220)	118.1 (3 000)	475 (12 065)	415.2 (10 545)
539.0 (13 690)	196.5 (4 990)	577.8 (14 677)	431.9 (10 970)	107.1 (2 720)	504 (12 802)	444.7 (11 295)
545.7 (13 860)	206.3 (5 240)	584.5 (14 847)	461.4 (11 720)	84.3 (2 140)	534 (13 564)	474.2 (12 045)
550.0 (13 970)	196.5 (4 990)	588.9 (14 957)	431.9 (10 970)	118.1 (3 000)	504 (12 802)	444.7 (11 295)

MWB = Medium Wheel Base ; LWB = Long Wheel Base
 * Maximum Fork Height = Main Lift + Free Lift

> V35ZMU-MWB, V35ZMU-LWB MAST DIMENSIONS

Maximum Fork Height* (Top of Forks)	Overall Lowered Height	Overall Extended Height	Main Lift Maximum Fork Height	Free-Lift (TOF)	Operator Orderpicking Height	Operator Platform Height Maximum
in. (mm)	in. (mm)	in. (mm)	in. (mm)	in. (mm)	in. (mm)	in. (mm)
3-STAGE QUAD-FORM MAST DIMENSIONS - AVAILABLE ONLY ON V35ZMU-LWB						
568.5 (14 440)	206.3 (5 240)	607.4 (15 427)	461.4 (11 720)	107.1 (2 720)	534 (13 564)	474.2 (12 045)
579.5 (14 720)	206.3 (5 240)	618.4 (15 707)	461.4 (11 720)	118.1 (3 000)	534 (13 564)	474.2 (12 045)
3-STAGE QUAD-FORM MAST DIMENSIONS - AVAILABLE ONLY AS SPECIAL ORDER WITH V35ZMU-LWB						
581	219	620	496	84	569	509
591	211	631	473	118	546	486
603	215	642	485	118	558	498
615	222	655	508	107	581	521
627	226	667	520	107	593	533
634	236	674	549	84	622	562
651	234	690	544	107	617	557
668	236	707	549	118	622	562

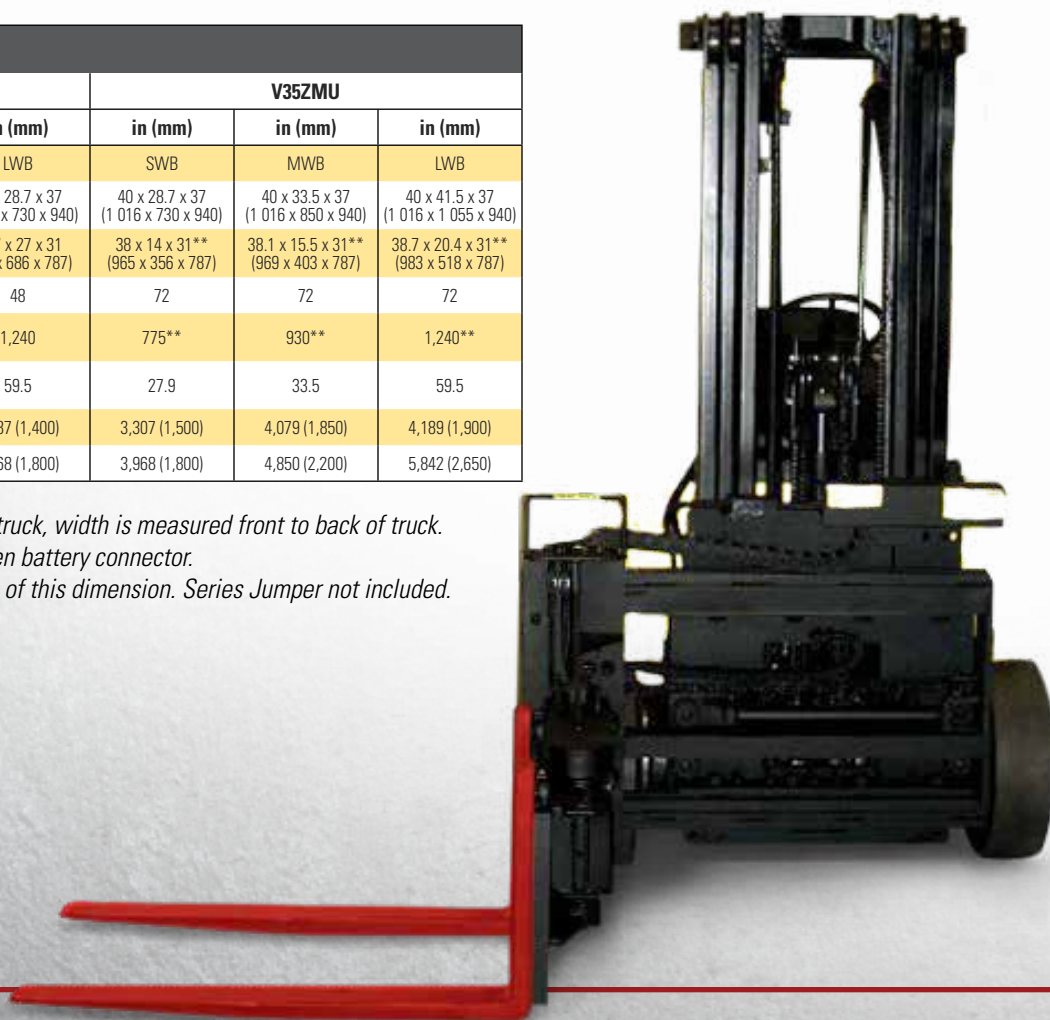
AUXILIARY MAST SPECIFICATIONS	
Free Lift	Overall Lowered Height
in. (mm)	in. (mm)
84.3 (2 140)	118.1 (3 000)
107.1 (2 720)	141.1 (3 585)
118.1 (3 000)	152.2 (3 865)

	BATTERY SPECIFICATIONS					
	V30ZMU		V35ZMU			
	in. (mm)	in. (mm)	in. (mm)	in. (mm)	in. (mm)	
	MWB	LWB	SWB	MWB	LWB	
Compartment size, L x W x H *	40 x 24 x 37 (1 016 x 610 x 940)	40 x 28.7 x 37 (1 016 x 730 x 940)	40 x 28.7 x 37 (1 016 x 730 x 940)	40 x 33.5 x 37 (1 016 x 850 x 940)	40 x 41.5 x 37 (1 016 x 1 055 x 940)	
Maximum battery size, L x W x H *	44.4 x 21.3 x 31 (1 127 x 540 x 787)	38.7 x 27 x 31 (983 x 686 x 787)	38 x 14 x 31** (965 x 356 x 787)	38.1 x 15.5 x 31** (969 x 403 x 787)	38.7 x 20.4 x 31** (983 x 518 x 787)	
Voltage	48	48	72	72	72	
Capacity, 6-hr rate (max. AH)	1,085	1,240	775**	930**	1,240**	
Capacity, 6-hr rate (max. AH)	54.1	59.5	27.9	33.5	59.5	
Weight, minimum	2,976 (1,350)	3,087 (1,400)	3,307 (1,500)	4,079 (1,850)	4,189 (1,900)	
Weight, maximum	3,527 (1,600)	3,968 (1,800)	3,968 (1,800)	4,850 (2,200)	5,842 (2,650)	

* Length is measured side to side of truck, width is measured front to back of truck.

Trucks use 48 volt blue, 72 volt green battery connector.

** Truck requires two 36 volt batteries of this dimension. Series Jumper not included.





MAST

- Tri-form and quad-form design provides stability and increased capacity.
- Eccentric bearing design for easy adjustability
- Bolt on load rollers
- Rolled steel tubes and welded steel construction
- Hose break valves
- Slack chain sensors and load cells

CANBUS CONTROL SYSTEM

- Reduces wiring and electrical connections for better visibility through the mast and simplified servicing
- Continuous vehicle system monitoring and communication between all vehicle controllers and sensors
- HySense Advance continuously monitors lift height and load weight to provide maximum truck performance
- Stepless travel and lift/lower speed control
- Single point diagnostic access of all truck components
- Operator adjustable performance parameters
- Programmable lift limits with override (service password access only)
- Single touch automatic forks center and synchronized traverse and rotate
- Programmable lift height pre-selector

HYDRAULIC SYSTEM

- Dual AC hydraulic motors and pumps provide maximum lift speed and combined attachment functions
- Hydraulically powered operator platform lowering
- O-ring face seal fittings for leak free hydraulics
- Two manifold blocks
- Hydraulic load sensing facilities multi-tasking of hydraulic functions
- In-line full flow filtration

DRIVE TRAIN

- Vertically mounted and stationary 48 or 72 volt AC traction motor
- Completely enclosed drive, steer and hoist motors
- Programmable maximum travel speed, acceleration, deceleration, and regenerative braking
- Smooth lag free direction change
- Optimized braking system reduces brake force when forks are elevated
- Single piece metal motor compartment cover allows easy access to all traction, hydraulic and electronic control components

STEERING SYSTEM

- Electronic gear on gear steering system
- Return to center steering
- Optional multi-turn steering
- Travel speed reduction when cornering

ATTACHMENT

- 180° turret attachment
- Traverse rails mounted to top and bottom of operator compartment
- Narrow pivot head width minimizes attachment lost load
- Optical encoders provide feedback on attachment position and auxiliary mast lift height
- Radial attachment bearings
- Eccentric thrust rollers
- Pin type fork carriage with integral pantograph mechanism electronically controlled from 4" to 10" of stroke
- Valve block hydraulically locks attachment in any position and prevents drift
- Over pressure relief valve

OPERATOR COMPARTMENT

- Standard seat side control joysticks maximize operator productivity and comfort
- Optional forward barrier and /or center control console
- Adjustable seat with armrest facilitates standing or seated operation
- Armrests can be height and width adjusted independent of the seat
- Seat rotates from 0 to +/-20 degree angle
- Large and easily actuated foot pedals integrated into operator compartment floor
- Integral DC/DC converter for RF devices
- Low platform step height
- Premium rubber floor mat
- Multifunction display and keypad shows major truck functions, operating mode, guidance status, and real time height, weight and speed.

Special attachments, equipment or accessories not listed above may be available through Applications Engineering for specific application requirements.

STANDARD EQUIPMENT

- 119" / 232" Tri-Form 2-Stage Mast
- 84.3" Auxillary Mast with 180 degree Turret Attachment and Pantograph - 4" Stroke Standard
- 1.75" x 4" x 42" (45mm x 100mm) - Pin Type Forks
- 56" Base Width
- 55" Operator Platform Width
- Dual Joystick, Seat Side Controls with Simultaneous Operation
- Synchronous Traverse and Rotate
- Automatic Forks Centering
- AC Traction and Hoist Control Systems
- Poly Drive Tire - 15.7" x 6.3" (V30ZMU)
Poly Drive Tire - 16.1" x 7.0" (V35ZMU)
- Poly Load Wheels - 13.8" x 5.5"
- 48 Volt System with Blue 350 Battery Connector (V30ZMU)
72 Volt System with Green 350 Battery Connector (V35ZMU)
- UL Type "E" Construction
- AC Hoist System with Regenerative Lowering
- Fully Integrated Canbus Control System
- Auto Deceleration System (ADS)
- Open Front Cab Design
- Sit, Stand or Lean Operator Positions
- Flip-up Side Rails with Gas Spring Assist and Interlock
- Flip-up Full-Suspension Cloth Seat with Height Adjustment
- Adjustable Armrests Independent of Seat Position
- Anti-Fatigue Floormat - Ribbed Rubber
- Parking Brake with Foot Switch Release
- Return to Center Electric Power Steering
- Operator Fan & Dome Light - OHG Mounted
- Work Lights - Right and Left Side
- Graphics Display with Real Time Truck Status
- Battery Discharge Indicator with Lift Interrupt
- Integral Multi-Mode Hour Meter
- Overhead Guard
- Operator Adjustable Performance Modes (soft, standard, medium, hard)
- Real-Time On-board Diagnostics
- Active Thermal Management System
- Override for Forks Traverse (in MDU compartment)
- Manual Lowering Valve (in MDU compartment)
- Battery Top Access Door
- Static Discharge Strap
- Welded Steel Frame
- Key Switch
- Electronic Horn
- Flashing Amber Strobe on Motor Cover and under Operator Compartment
- Battery Rollers 12.6" Above Floor
- Power Supply Disconnect Button
- Operator's, Parts and Service Manual
- 12 Months / 2,000 Hours Manufacturer's Warranty
- Battery not included.

INNOVATIVE TRUCKS ENGINEERED TO MEET THE MOST DEMANDING APPLICATIONS

For more than 80 years, Hyster has been conquering the world's most demanding applications. In the 1920's Hyster started as a manufacturer of lifting machines used in the rigorous logging industry of the United States' Pacific Northwest. A few years later the first forklift trucks were invented and the Hyster brand quickly gained its reputation for rugged quality. Hyster® lift trucks are designed to lower your cost of operations. Every truck we make — gasoline, LPG, diesel and electric — is purpose-built to excel in its application. Every truck is also backed by an unmatched network of specialists.



Dealer Network — Our Dealer Network can offer the expertise of fleet managers, parts suppliers, capital procurement specialists and trainers. Hyster's carefully chosen dealers fully understand customer applications, assist in selecting the right lift truck and provide fast, reliable support.



Hyster Fleet Services — Even if you operate other brands, we can manage your maintenance and replacement plan. We can offer complete fleet analysis, fleet history summary and a cost-effective proposal for replacement and scheduled maintenance.



Parts — With genuine Hyster® replacement parts and UNISOURCE™ parts for all makes of lift trucks, we are your one-stop source for lift truck parts. In fact, we offer more than 7 million part number crosses for most brands of materials handling and other in-plant mobile equipment.



Rental Products — When leasing or buying isn't a practical option, we have access to more than 14,000 units for short- and long-term rental. We'll help you maintain output in a cost-effective manner.



Hyster Capital — We can arrange solutions for special financing requirements, taking the difficulties out of buying the equipment you need. Whether you purchase or lease a new or used lift truck, Hyster Capital offers superior service and competitive rates.



Special Products Engineering Department (SPED) — Different materials require different handling. That's why we can work with you to customize your lift trucks. From strobe lights to specially made forks, SPED has the tools to help you get the job done right.



Operator Training — Proper education in operating lift trucks minimizes the risk of injuries due to accidents while increasing productivity. Hyster offers OSHA-compliant materials that support the training of qualified operators.




Service — Your local Hyster® dealer offers a flexible, customized and comprehensive maintenance plan based on each lift truck's operation environment. Hyster service programs offer scheduled inspections and maintenance, along with quick, responsive service dispatched to your location.



Hyster Company
P.O. Box 7006
Greenville, North Carolina
27835-7006
Part No. V30-35ZMU/B
3/2016 Litho in U.S.A.

Visit us online at www.hyster.com or call us at **1-800-HYSTER-1**.

Hyster, , and STRONG PARTNERS. TOUGH TRUCKS. are registered trademarks in the United States and certain other jurisdictions. Hyster products are subject to change without notice.

All trucks shown with optional equipment. © 2016 Hyster Company. All rights reserved.