



**STRONG PARTNERS.
TOUGH TRUCKS.™**



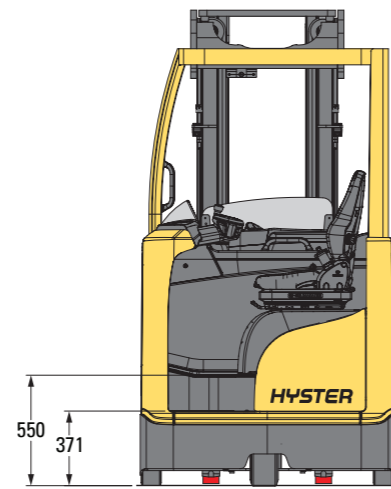
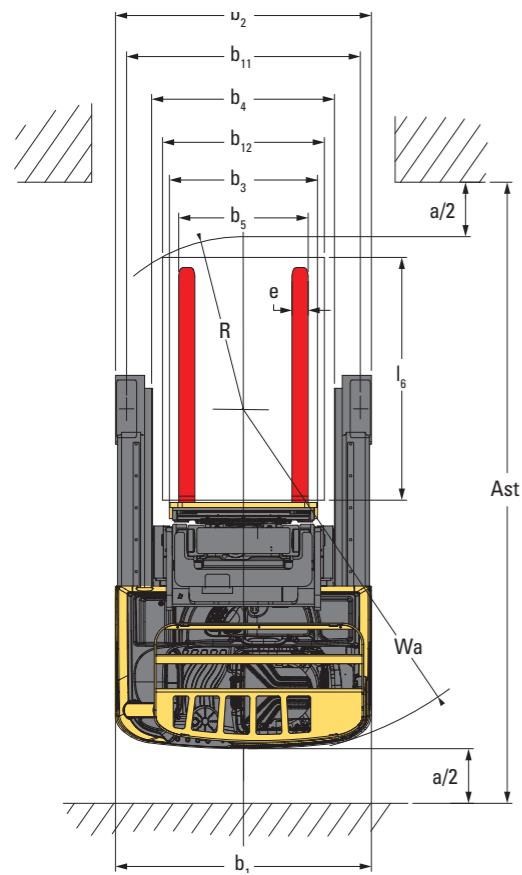
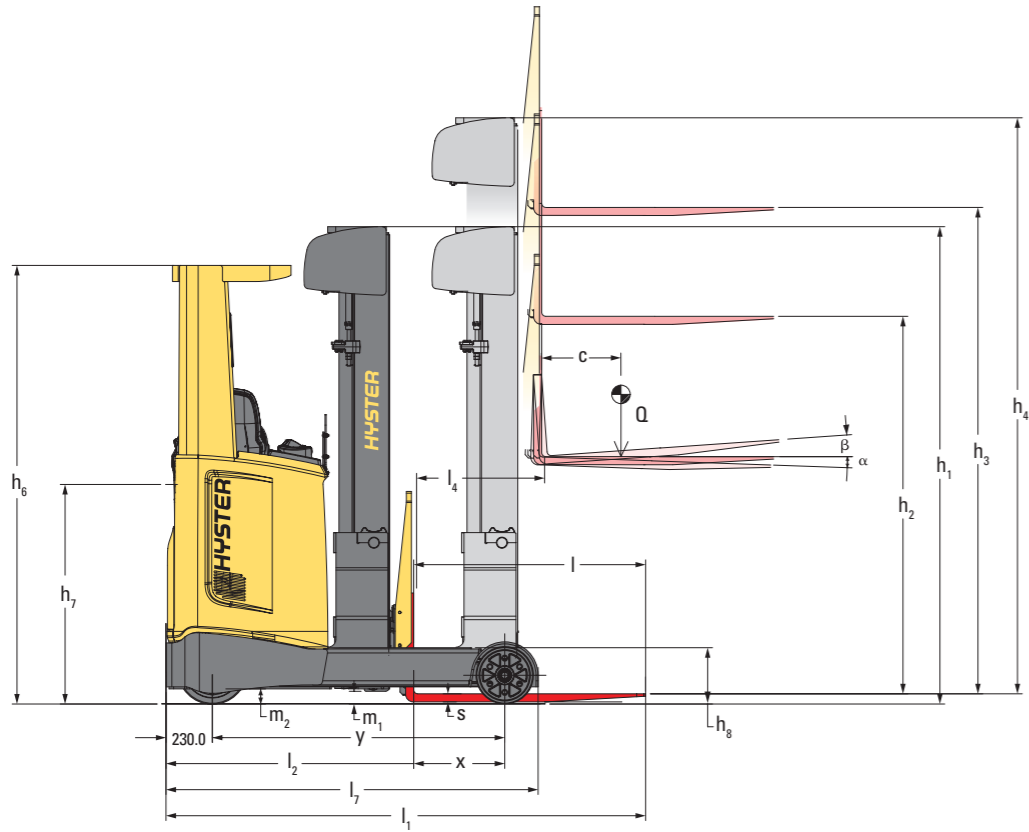
REACH TRUCK

R1.4-R2.5

1400-2500 KG



TRUCK DIMENSIONS - STANDARD



$$Ast = Wa + R + a$$

(see lines 4.34.1 and 4.34.2)

$$R = \sqrt{(l_6 - x)^2 + \left(\frac{b_{12}}{2}\right)^2}$$

$$a = 200\text{mm}$$

STANDARD EQUIPMENT AND OPTIONS

Feature	R1.4/1.6	R1.6N	R2.0/2.5	R1.6HD	R2.0HD
OPERATOR COMPARTMENT					
Intermediate step	x	x	x	x	x
Grab handle on overhead guard post	x	x	x	x	x
Grab handle under armrest	x	x	x	x	x
TouchPoint™ mini levers mounted on adjustable length armrest	x	x	x	x	x
Joystick mounted on adjustable length armrest	o	o	o	o	o
Full suspension seat - 60 mm suspension travel cloth upholstery	x	x	x	x	x
Full suspension seat - 80 mm suspension travel cloth upholstery	o	o	o	o	o
Headrest (cloth version only)	o	o	o	o	o
Synchronised seat cushion and backrest movement (cloth version only)	o	o	o	o	o
Seat belt	o	o	o	o	o
Heated seat	o	o	o	o	o
Antistatic seat (cloth version only)	o	o	o	o	o
Vinyl seat upholstery	o	o	o	o	o
Standard display	x	x	x	x	x
Premium display with touch screen	o	o	o	o	o
Keyless access	o	o	o	o	o
Adjustable steering column	x	x	x	x	x
Automatic park brake	x	x	x	x	x
180° steering	x	x	x	x	x
360° steering	o	o	o	o	o
Driver select steering mode 180 / 360° (push button)	o	o	o	o	o
TRAVEL PERFORMANCE					
Travel speed 11 km/h	x	x	-	-	-
Travel speed 14 km/h with electric load wheel braking	o	o	x	x	x
Speed slow down mast reached forward	x	x	x	x	x
Speed slow down on cornering	x	x	x	x	x
Speed slow down over free lift	x	x	x	x	x
LIFT PERFORMANCE / DRIVER ASSIST					
3 stage mast / tilting carriage	x	x	x	-	-
3 stage HD mast / tilting carriage	-	-	-	x	x
4 stage mast / tilting carriage	o	o	o	-	o
Simultaneous lift / reach functionality	x	x	x	x	x
Simultaneous hydraulic functionality - 3 functions	o	o	o	o	o
Mast cushioning over free lift/main lift sections - fixed sensor mounting	x	x	x	x	-
Lift Comfort package ✓	o	o	o	x	x
Lift Performance package	o	o	-	x	x
Laser line fork positioning aid (above free lift)	o	o	o	o	o
Auto side shift centring	o	o	o	o	o
Auto fork levelling in the horizontal position	o	o	o	o	o
Height preselector (with / without pallet detection device)	o	o	o	o	o
Fork mounted camera / monitor	o	o	o	o	o
Weight indicator	o	o	o	o	o
APPLICATION ENVIRONMENT					
5th hydraulic function	o	o	o	o	o
Universal support bracket	o	o	o	o	o
Beverage holder and document tray	o	o	o	o	o
A4 clipboard	o	o	o	o	o
Stretch film roll holder	o	o	o	o	o
Lift limit with override (1 x height setting)	o	o	o	o	o
Lift limit with override (2 x height settings)	o	o	o	o	o
Lower limit (with override option)	o	o	o	o	o
Flashing beacon	o	o	o	o	o
Work lights x 2 (mast side)	o	o	o	o	o
Work lights x 2 (drive side)	o	o	o	o	o
Polycarbonate (lexan) protection on overhead guard	o	o	o	o	o
Metal grid protection on overhead guard	o	o	o	o	o
Top / front load wheel protection	x	x	x	x	x
Side load wheel protection	o	o	o	o	o
High temperature environment	o	o	o	o	o
Side battery change - battery tray rollers	o	o	o	o	o
Side battery change table	o	o	o	o	o
Extension cable	o	o	o	o	o
Drive-in overhead guard (w900 x h1400 / w900 x h1700 mm)	o	o	o	o	o
Antistatic drive and load wheels	o	o	o	o	o
Wet surface drive and load wheels	o	o	o	o	o
Side guidance rollers	o	o	R2.0	o	o
DC / DC converter (choice of 12V / 48V, 24V / 48V, 12-24V / 48V options)	o	o	o	o	o
Audible alarm (choice of forks leading, forks trailing, both travel directions)	o	o	o	o	o
Load backrest (choice of heights 1000 / 1500 mm)	o	o	o	o	o

All values are nominal values and they are subject to tolerances. For further information, please contact the manufacturer. Hyster products might be subject to change without notice. Lift trucks illustrated may feature optional equipment. Values may vary with alternative configurations.

STANDARD EQUIPMENT AND OPTIONS

CHASSIS / BATTERY SIZES	Chassis width (max)				
		1265mm	x	-	R2.0
	1125mm	-	x	-	-
	1345mm	-	-	R2.5	-
Battery sizes ✓✓					
	420-465 Ah	o	o	-	-
	560-620 Ah	o	o	o R2.0	o
	700-775 Ah	o	o	o	o
	840-930 Ah	-	-	o R2.5	o

MAST INFORMATION

Values shown are for standard equipment. When using non-standard equipment these values may change. Please contact your Hyster dealer for information.

R1.4, R1.6 & R1.6N

Standard Mast - 3 stage full free lift (1,400kg / 1,600kg)

Manufacturer's type designation	Lift (h ₃) mm	Free lift (h ₂) mm	Height of mast lowered (h ₁) mm	Height, mast extended ▶ (h ₄) mm	Weight ✧ ★ kg	
R1.4 R1.6	R1.6N	5000	1648	2195	5563	911
		5250	1734	2281	5813	936
		5500	1820	2367	6063	961
		5750	1906	2453	6313	986
		6000	1992	2539	6563	1010
		6250	2078	2625	6813	1035
		6500	2164	2711	7063	1060
		6750	2250	2797	7313	1090
		7000	2336	2883	7563	1115
		7250	2422	2969	7813	1140
	R1.6	7500	2508	3055	8063	1164
		7750	2594	3141	8313	1220
		8000	2680	3227	8563	1244
		8250	2766	3313	8813	1269
		8500	2852	3399	9063	1299
		8750	2938	3485	9313	1324
		9000	3024	3571	9563	1349
		9250	3110	3657	9813	1376
		9500	3196	3753	10063	1407
		9750	3282	3839	10313	1431
10000	3368	3925	10563	1460		
10250	3454	4011	10813	1485		
10500	3540	4097	11063	1509		

R2.0 & R2.5

Standard Mast - 3 stage full free lift (2,000kg / 2,500kg)

Manufacturer's type designation	Lift (h ₃) mm	Free lift (h ₂) mm	Height of mast lowered (h ₁) mm	Height, mast extended ▶ (h ₄) mm	Weight ✧ ★ kg
R2.0 R2.5	4650	1582	2195	5263	958
	4900	1668	2281	5513	985
	5150	1754	2367	5763	1012
	5400	1840	2453	6013	1038
	5650	1926	2539	6263	1065
	5900	2012	2625	6513	1092
	6150	2098	2711	6763	1118
	6400	2184	2797	7013	1150
	6650	2270	2883	7263	1177
	6900	2356	2969	7513	1204
	7150	2442	3055	7763	1230
	7400	2528	3141	8013	1288
	7650	2614	3227	8263	1314
	7900	2700	3313	8513	1341
	8150	2786	3399	8763	1373

R1.6HD

Heavy Duty Mast - 3 stage full free lift (1,600kg)

Manufacturer's type designation	Lift (h ₃) mm	Free lift (h ₂) mm	Height of mast lowered (h ₁) mm	Height, mast extended ▶ (h ₄) mm	Weight ✧ ★ kg
R1.6HD	7900	2680	3227	8463	1376
	8150	2766	3313	8713	1404
	8400	2852	3399	8963	1438
	8650	2938	3485	9213	1467
	8900	3024	3571	9463	1495
	9150	3110	3657	9713	1523
	9400	3196	3753	9963	1558
	9650	3282	3839	10213	1586
	9900	3368	3925	10463	1649
	10150	3454	4011	10713	1677
	10400	3540	4097	10963	1706
	10650	3626	4183	11213	1734
	10900	3712	4269	11463	1763
	11150	3798	4355	11713	1791
	11400	3884	4441	11963	1819

R2.0HD

Heavy Duty Mast - 3 stage full free lift (2,000kg)

Manufacturer's type designation	Lift (h ₃) mm	Free lift (h ₂) mm	Height of mast lowered (h ₁) mm	Height, mast extended ▶ (h ₄) mm	Weight ✧ ★ kg
R2.0HD	7750	2614	3227	8363	1402
	8000	2700	3313	8613	1431
	8250	2786	3399	8863	1465
	8500	2872	3485	9113	1494
	8750	2958	3571	9363	1523
	9000	3044	3657	9613	1552
	9250	3130	3753	9863	1587
	9500	3216	3839	10113	1615
	9750	3302	3925	10363	1678
	10000	3388	4011	10613	1707
	10250	3474	4097	10863	1736
	10500	3560	4183	11113	1765
	10750	3646	4269	11363	1793
	11000	3732	4355	11613	1822
	11250	3818	4441	11863	1851
	11500	3904	4527	12113	1880
	11750	3990	4613	12363	1908
	12000	4076	4699	12613	1937
	12250	4162	4785	12863	1966
	12500	4248	4871	13113	1995
	12750	4334	4957	13373	2024

MAST INFORMATION

Values shown are for standard equipment. When using non-standard equipment these values may change. Please contact your Hyster dealer for information.

R1.4, R1.6, R1.6N

Standard Mast - 4 stage full free lift (1,400kg / 1,600kg)

Manufacturer's type designation		Lift (h ₂) mm	Free lift (h ₂) mm	Height of mast lowered (h ₁) mm	Height, mast extended ▽ (h ₁) mm	Weight ✦ ★ kg
R1.4	R1.6N	6650	1700	2280	7230	1014
		7050	1800	2380	7630	1046
		7450	1900	2480	8030	1078
		7850	2000	2580	8430	1110
		8050	2050	2630	8630	1126
	R1.6	8300	2150	2730	8880	1158
		8500	2200	2780	9080	1207
		8700	2250	2830	9280	1223
		9150	2400	2980	9730	1271
		9400	2500	3080	9980	1303
		9850	2650	3230	10430	1351
		10050	2700	3280	10630	1367

R2.0, R2.5, R2.0HD

Standard Mast - 4 stage full free lift (2,000kg / 2,500kg)

Manufacturer's type designation		Lift (h ₂) mm	Free lift (h ₂) mm	Height of mast lowered (h ₁) mm	Height, mast extended ▽ (h ₁) mm	Weight ✦ ★ kg
R2.0		7050	1800	2380	7630	1295
		7450	1900	2480	8030	1335
		7850	2000	2580	8430	1375
R2.5	R2.0HD	8050	2050	2630	8630	1395
		8300	2150	2730	8880	1435
		8500	2200	2780	9080	1490
		8700	2250	2830	9280	1510
		9150	2400	2980	9730	1570
		9400	2500	3080	9980	1610
		9850	2650	3230	10430	1670
		10050	2700	3280	10630	1690
		10300	2800	3380	10880	1730
		10500	2850	3430	11080	1750
		10750	2950	3530	11330	1790
		11000	3050	3630	11580	1830
		11400	3150	3730	11980	1870

BATTERY INFORMATION - R1.4, R1.6, R1.6N

Truck dimensions for different batteries		Battery type				
		C "Super"	C	C "Super"	C	C "Super"
1.2	Manufacturer's type designation	R1.4	R1.4	R1.4	R1.4	R1.4
1.8	Load distance, centre of drive axle to fork	402	330	330	258	258
1.9	Wheelbase	1400	1400	1400	1400	1400
2.1	Service weight	3112	3309	3320	3495	3541
2.3	Axle loading, unladen front/rear ←	1977 / 1135	2025 / 1285	2032 / 1289	2055 / 1440	2084 / 1457
2.4	Axle loading fork advanced, laden front/rear	682 / 3830	792 / 3917	800 / 3921	885 / 4010	914 / 4027
2.5	Axle loading fork retracted, laden front/rear	1778 / 2735	1753 / 2956	1760 / 2960	1711 / 3184	1741 / 3201
4.19	Overall length	2379	2451	2451	2523	2523
4.20	Length to face of forks	1229	1301	1301	1373	1373
4.28	Reach distance	585	513	513	441	441
4.34.1	Aisle width for pallets 1000mm x 1200mm crossways	2718	2771	2771	2825	2826
4.34.2	Aisle width for pallets 800mm x 1200mm lengthwise	2764	2829	2829	2895	2895
4.35	Turning radius	1671	1671	1671	1671	1671
6.3	Battery according to DIN 43531/35/36 A,B,C, no	C "Super"	C	C "Super"	C	C "Super"
6.4	Battery voltage/nominal capacity K5	48 / 465	48 / 560	48 / 620	48 / 700	48 / 775
6.5	Battery weight ⊙	750	939	950	1119	1165

Truck dimensions for different batteries		Battery type				
		C "Super"	C	C "Super"	C	C "Super"
1.2	Manufacturer's type designation	R1.4	R1.4	R1.4	R1.4	R1.4
1.8	Load distance, centre of drive axle to fork	452	380	380	308	308
1.9	Wheelbase	1450	1450	1450	1450	1450
2.1	Service weight	3162	3360	3371	3546	3592
2.3	Axle loading, unladen front/rear ←	2018 / 1144	2069 / 1291	2077 / 1294	2103 / 1443	2133 / 1459
2.4	Axle loading fork advanced, laden front/rear	601 / 4162	714 / 4246	721 / 4250	810 / 4336	839 / 4352
2.5	Axle loading fork retracted, laden front/rear	1853 / 2909	1825 / 3135	1832 / 3139	1779 / 3367	1809 / 3383
4.19	Overall length	2379	2451	2451	2523	2523
4.20	Length to face of forks	1229	1301	1301	1373	1373
4.28	Reach distance	635	563	563	491	491
4.34.1	Aisle width for pallets 1000mm x 1200mm crossways	2731	2781	2781	2834	2834
4.34.2	Aisle width for pallets 800mm x 1200mm lengthwise	2767	2830	2830	2896	2896
4.35	Turning radius	1718	1718	1718	1718	1718
6.3	Battery according to DIN 43531/35/36 A,B,C, no	C "Super"	C	C "Super"	C	C "Super"
6.4	Battery voltage/nominal capacity K5	48 / 465	48 / 560	48 / 620	48 / 700	48 / 775
6.5	Battery weight ⊙	750	939	950	1119	1165

Truck dimensions for different batteries		Battery type				
		B "Super"	B	B "Super"	B	B "Super"
1.2	Manufacturer's type designation	R1.6N	R1.6N	R1.6N	R1.6N	R1.6N
1.8	Load distance, centre of drive axle to fork	382	292	292	202	202
1.9	Wheelbase	1450	1450	1450	1450	1450
2.1	Service weight	3115	3309	3317	3498	3514
2.3	Axle loading, unladen front/rear ←	1924 / 1191	1947 / 1362	1952 / 1365	1955 / 1543	1965 / 1549
2.4	Axle loading fork advanced, laden front/rear	572 / 4143	672 / 4237	677 / 4240	757 / 4341	766 / 4347
2.5	Axle loading fork retracted, laden front/rear	1682 / 3033	1606 / 3303	1611 / 3306	1514 / 3584	1524 / 3590
4.19	Overall length	2449	2539	2539	2629	2629
4.20	Length to face of forks	1299	1389	1389	1479	1479
4.28	Reach distance	565	475	475	385	385
4.34.1	Aisle width for pallets 1000mm x 1200mm crossways	2762	2828	2828	2898	2899
4.34.2	Aisle width for pallets 800mm x 1200mm lengthwise	2811	2893	2893	2976	2976
4.35	Turning radius	1700	1700	1700	1700	1700
6.3	Battery according to DIN 43531/35/36 A,B,C, no	B "Super"	B	B "Super"	B	B "Super"
6.4	Battery voltage/nominal capacity K5	48 / 465	48 / 560	48 / 620	48 / 700	48 / 775
6.5	Battery weight ⊙	750	937	945	1119	1135

All values are nominal values and they are subject to tolerances. For further information, please contact the manufacturer. Hyster products might be subject to change without notice. Lift trucks illustrated may feature optional equipment. Values may vary with alternative configurations.

BATTERY INFORMATION - R2.0, R2.5, R1.6HD, R2.0HD

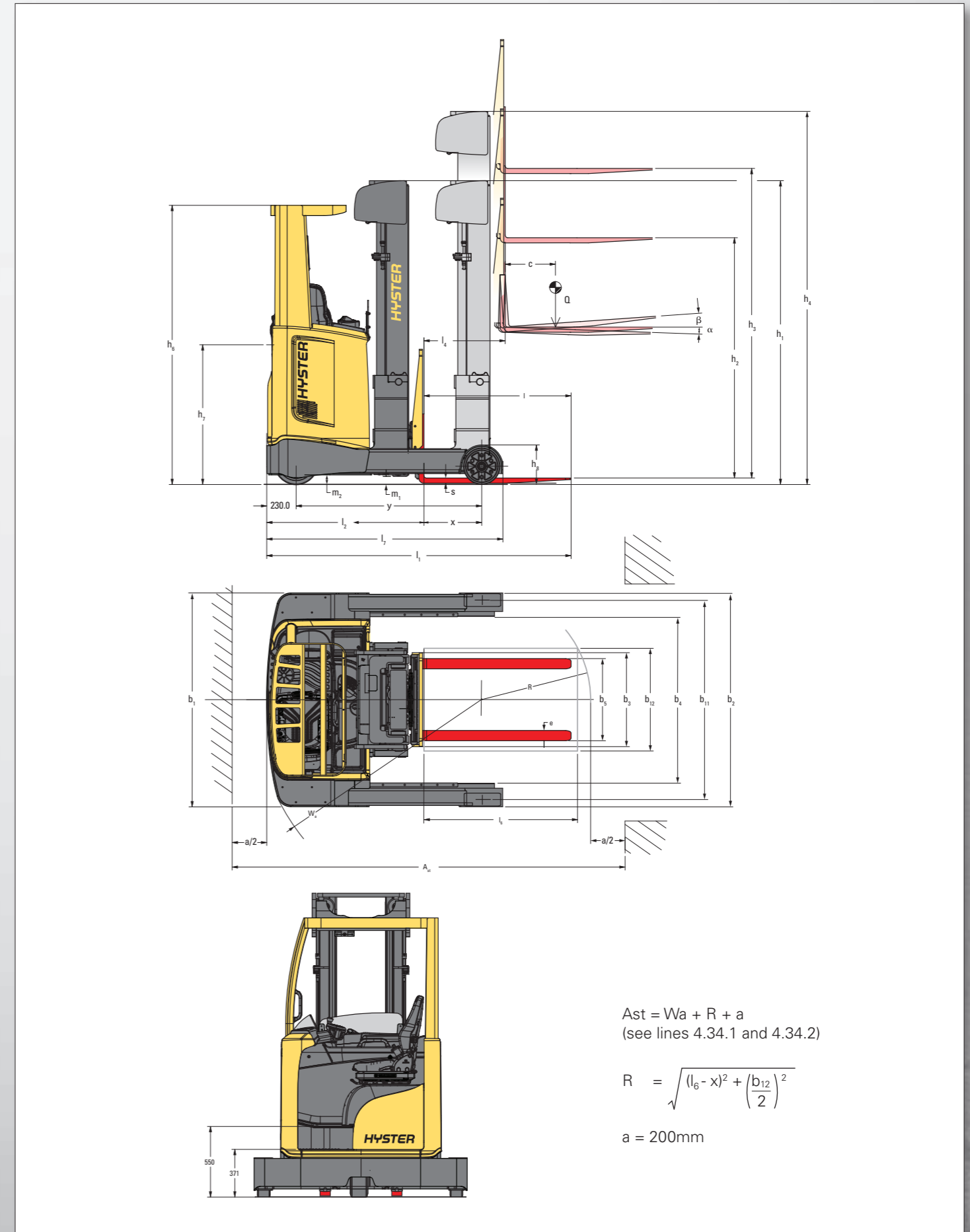
Truck dimensions for different batteries		Battery type	C "Super"	C	C "Super"
1.2	Manufacturer's type designation		R2.0	R2.0	R2.0
1.8	Load distance, centre of drive axle to fork	x (mm)	430	358	358
1.9	Wheelbase	y (mm)	1500	1500	1500
2.1	Service weight	kg	3626	3801	3847
2.3	Axle loading, unladen front/rear ←	kg	2268 / 1358	2296 / 1504	2326 / 1520
2.4	Axle loading fork advanced, laden front/rear	kg	679 / 4947	770 / 5030	801 / 5046
2.5	Axle loading fork retracted, laden front/rear	kg	2039 / 3586	1971 / 3829	2002 / 3845
4.19	Overall length	l ₁ (mm)	2451	2523	2523
4.20	Length to face of forks	l ₂ (mm)	1301	1373	1373
4.28	Reach distance	l ₄ (mm)	613	541	541
4.34.1	Aisle width for pallets 1000mm x 1200mm crossways	Ast (mm)	2795	2846	2846
4.34.2	Aisle width for pallets 800mm x 1200mm lengthwise	Ast (mm)	2835	2900	2900
4.35	Turning radius	Wa (mm)	1767	1767	1767
6.3	Battery according to DIN 43531/35/36 A,B,C, no		C "Super"	C	C "Super"
6.4	Battery voltage/nominal capacity K5	(V) / (Ah)	48 / 620	48 / 700	48 / 775
6.5	Battery weight ⊙	kg	950	1119	1165

Truck dimensions for different batteries		Battery type	C "Super"	C	C "Super"
1.2	Manufacturer's type designation		R2.5	R2.5	R2.5
1.8	Load distance, centre of drive axle to fork	x (mm)	503	431	431
1.9	Wheelbase	y (mm)	1650	1650	1650
2.1	Service weight	kg	4084	4230	4292
2.3	Axle loading, unladen front/rear ←	kg	2552/1532	2565/1665	2606/1686
2.4	Axle loading fork advanced, laden front/rear	kg	804/5780	876/5855	917/5875
2.5	Axle loading fork retracted, laden front/rear	kg	2402/4182	2306/4424	2348/4444
4.19	Overall length	l ₁ (mm)	2528	2600	2600
4.20	Length to face of forks	l ₂ (mm)	1378	1450	1450
4.28	Reach distance	l ₄ (mm)	686	614	614
4.34.1	Aisle width for pallets 1000mm x 1200mm crossways	Ast (mm)	2890	2938	2938
4.34.2	Aisle width for pallets 800mm x 1200mm lengthwise	Ast (mm)	2915	2978	2978
4.35	Turning radius	Wa (mm)	1911	1911	1911
6.3	Battery according to DIN 43531/35/36 A,B,C, no		C "Super"	C	C "Super"
6.4	Battery voltage/nominal capacity K5	(V) / (Ah)	48/775	48/840	48/930
6.5	Battery weight ⊙	kg	1165	1306	1368

Truck dimensions for different batteries		Battery type	C "Super"	C	C "Super"
1.2	Manufacturer's type designation		R1.6HD	R1.6HD	R1.6HD
1.8	Load distance, centre of drive axle to fork	x (mm)	308	308	308
1.9	Wheelbase	y (mm)	1450	1450	1450
2.1	Service weight	kg	4049	4224	4270
2.3	Axle loading, unladen front/rear ←	kg	2424 / 1625	2428 / 1796	2457 / 1813
2.4	Axle loading fork advanced, laden front/rear	kg	891 / 4758	979 / 4845	1009 / 4861
2.5	Axle loading fork retracted, laden front/rear	kg	2180 / 3469	2104 / 3720	2134 / 3736
4.19	Overall length	l ₁ (mm)	2523	2523	2523
4.20	Length to face of forks	l ₂ (mm)	1373	1373	1373
4.28	Reach distance	l ₄ (mm)	491	491	491
4.34.1	Aisle width for pallets 1000mm x 1200mm crossways	Ast (mm)	2834	2834	2834
4.34.2	Aisle width for pallets 800mm x 1200mm lengthwise	Ast (mm)	2896	2896	2896
4.35	Turning radius	Wa (mm)	1718	1718	1718
6.3	Battery according to DIN 43531/35/36 A,B,C, no		C "Super"	C	C "Super"
6.4	Battery voltage/nominal capacity K5	(V) / (Ah)	48 / 620	48 / 700 (6)	48 / 775
6.5	Battery weight ⊙	kg	950	1119	1165

Truck dimensions for different batteries		Battery type	C "Super"	C	C "Super"
1.2	Manufacturer's type designation		R2.0HD	R2.0HD	R2.0HD
1.8	Load distance, centre of drive axle to fork	x (mm)	353	281	281
1.9	Wheelbase	y (mm)	1500	1500	1500
2.1	Service weight	kg	4471	4617	4679
2.3	Axle loading, unladen front/rear ←	kg	2597 / 1874	2577 / 2040	2616 / 2063
2.4	Axle loading fork advanced, laden front/rear	kg	921 / 5550	985 / 5632	1024 / 5655
2.5	Axle loading fork retracted, laden front/rear	kg	2266 / 4205	2149 / 4468	2189 / 4490
4.19	Overall length	l ₁ (mm)	2528	2600	2600
4.20	Length to face of forks	l ₂ (mm)	1378	1450	1450
4.28	Reach distance	l ₄ (mm)	536	464	464
4.34.1	Aisle width for pallets 1000mm x 1200mm crossways	Ast (mm)	2850	2903	2903
4.34.2	Aisle width for pallets 800mm x 1200mm lengthwise	Ast (mm)	2904	2970	2970
4.35	Turning radius	Wa (mm)	1767	1767	1767
6.3	Battery according to DIN 43531/35/36 A,B,C, no		C "Super"	C	C "Super"
6.4	Battery voltage/nominal capacity K5	(V) / (Ah)	48 / 775	48 / 840	48 / 930
6.5	Battery weight ⊙	kg	1165	1306	1368

TRUCK DIMENSIONS - WIDE / EXTRA WIDE



All values are nominal values and they are subject to tolerances. For further information, please contact the manufacturer. Hyster products might be subject to change without notice. Lift trucks illustrated may feature optional equipment. Values may vary with alternative configurations.

All values are nominal values and they are subject to tolerances. For further information, please contact the manufacturer. Hyster products might be subject to change without notice. Lift trucks illustrated may feature optional equipment. Values may vary with alternative configurations.

PRODUCT FEATURES

The new tough Hyster® Reach Truck is designed for efficiency for operations at greater heights, with excellent stability, visibility, manoeuvrability and control. The all-new Reach Truck is built with the quality hallmarks of Hyster: tough, intelligent, dependable and efficient.

DEPENDABILITY

- New reach truck feature modular three piece design of frame, operator compartment and overhead guard.
- Completely welded stiff and strong base frame is available in 2 basic widths and 4 different lengths to match demanding applications requirements.
- The operator compartment is a one piece welded structure developed for long term durability.
- The new overhead guard design with oval shape pillar and a round inwards bended tube for standard truck models provides excellent visibility.
- New mast incorporates new unique Hyster designed profiles that reduce the total mast channel width.
- Dual CANbus technology reduces wiring complexity for increased reliability.
- Parts communality with other counterbalance trucks, with proven reliability and durability.
- Top and partially front protected load wheels with optional load wheel side cover reduce damage to the load wheel and increase the lifetime of Reach Truck.

PRODUCTIVITY

- The new, improved Hyster traction motor gives powerful acceleration and an increased travel speed of up to 14km/h and the new mast deliver 0.8 metres per second lift speed up to 12.75 metres.
- Three different steering modes: 180 degree steering as standard and 360 degree steering as option with 180/360 degree steering switch option by push of the button.

- Comprehensive mast selection allows truck to be configured to the needs of the application.
- Full AC infrastructure on drive, traction and hydraulic motors allows seamless changes in direction of travel, increasing cycle speeds and the control of pallet handling operations.
- Adjustable speed reduction on cornering feature provides smooth load handling and precise direction control.
- TouchPoint™ mini lever module or new design Joystick with industry first fingertip mini joystick control for all hand controlled main hydraulic functions within hand reach position.
- Two different Drive-In overhead guard options with choice of standard or narrow chassis to specifically match the requirements of “Drive-in” applications and provide excellent manoeuvrability.
- ECO-eLo and HiP performance modes for application matching configurations.

ERGONOMICS

- New operator compartment layout is optimised on ergonomics and operator space. The industry lowest 371mm step height provides improved ingress/ egress with 3 point contact.
- New pedal layout increases useful operator floor space with low resistance foot pedals positioned on slightly angled floor plate for most ergonomic foot position.
- The operator presence switch is slightly rotated to the mid line off the operator seat to improve operator left foot position.
- Two different seats Grammar MSG 20 and MSG 65 with additional options delivers even greater operator comfort.
- Additional lumbar support and the fully adjustable backrest angle (with a setting range from 5° to 30°) ensure optimum driver comfort throughout the shift.
- The steering column is adjustable in length in 10 positions for best ergonomic steering wheel position.

- In length adjustable right armrest to allow for best ergonomic hand control with integrated TouchPoint™ mini lever module or new designed Joystick with integrated mini lever joystick for all hand controlled main hydraulic functions within hand reach position.
- In front of operator positioned display to allow for easy reading without disturbing visibility.
- Several in dashboard integrated storage possibility, optional universal support bracket and clipboard provision.
- The drive wheel automatically moves to centre position when truck is switched on.
- New Mast with optimised lift cylinders position for increased visibility incorporates new unique profiles that reduce the total mast channel width.

LOW COST OF OWNERSHIP

- The new Hyster 6.4 kW traction motor gives powerful acceleration and an increased travel for superior performance and increased loads moves per hour.
- The ECO-eLo mode reduces the acceleration speed promoting efficient energy consumption difference of 5%.
- Regenerative braking dissipates the generated heat in the motor increasing the braking effect and reducing maintenance cost.
- Trucks are rated to IP65 standard, for protection against dust and water ingress.
- High level of parts communality with other Hyster products with proven reliability and durability for ease of maintenance

SERVICEABILITY

- Standard display provides most critical status of components and error codes. Industry first Reach Truck touch screen display offering regular software upgrades.
- Hinge door in the front of the truck provide full access to the motors, hydraulics and compartment for easy service and maintenance of all components.
- VCM (Vehicle Control Manager) and Dual CANbus technology facilitates identification of failures of components and wire harness.
- AC technology minimises the dependence on mechanical parts. This leads to a reduction in service costs over the lifetime of the truck
- 100% leak free quick (dis)connect hydraulic couplings to prevent any spillage when disconnecting for maintenance.
- Service interval for hydraulic oil and filter - 3000h, transmission oil change - 1000 h.
- Standard warranty – 24 month (4000 hours), extended warranty – 36 month (6000 hours).

STRONG PARTNERS. TOUGH TRUCKS.™

FOR DEMANDING OPERATIONS, EVERYWHERE.

Hyster supplies a complete range of warehouse equipment, IC and electric counterbalanced trucks, container handlers and reach stackers. Hyster is committed to being much more than a lift truck supplier.

Our aim is to offer a complete partnership capable of responding to the full spectrum of material handling issues: Whether you need professional consultancy on your fleet management, fully qualified service support, or reliable parts supply, you can depend on Hyster.

Our network of highly trained dealers provides expert, responsive local support. They can offer cost-effective finance packages and introduce effectively managed maintenance programmes to ensure that you get the best possible value. Our business is dealing with your material handling needs so you can focus on the success of your business today and in the future.



HYSTER EUROPE

Centennial House, Frimley Business Park, Frimley, Surrey, GU16 7SG, England.

Tel: +44 (0) 1276 538500, Fax: +44 (0) 1276 538559



www.hyster.eu



infoeurope@hyster.com




[/HysterEurope](https://www.facebook.com/HysterEurope)




[@HysterEurope](https://twitter.com/HysterEurope)



[/HysterEurope](https://www.youtube.com/HysterEurope)

HYSTER  and FORTENS are registered trademarks in the European Union and certain other jurisdictions.

MONOTROL is a registered trademark, and DURAMATCH and  are trademarks in the United States and in certain other jurisdictions.

Hyster products are subject to change without notice. Lift trucks illustrated may feature optional equipment.

A division of NACCO Materials Handling Limited.